

4

3

2

1

THIS DRAWING IS UNPUBLISHED.  
DIFFUSION RESEINTE AMP

RELEASED FOR PUBLICATION

.19

LOC

DIST

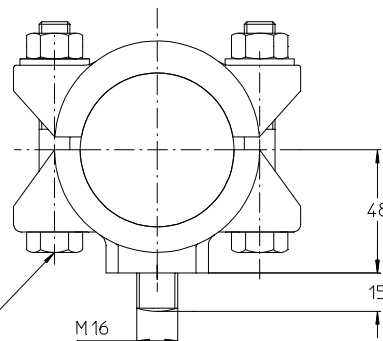
REVISIONS

© COPYRIGHT 1997

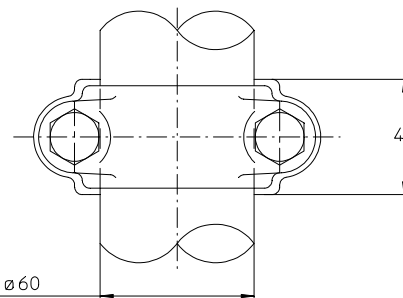
BY AMP INCORPORATED. ALL RIGHTS RESERVED.  
TOUS DROITS RESERVES

FH 2

P	LTR REV	DESCRIPTION MODIFICATIONS	DATE	DWN DESS.	APVD APP.
	B	EQ00-0448-99	30-Sep-99	EN	HV



60 Nm { 4 boulons ø12 acier inox A2  
4 bolts 12 Dia stainless steel A2  
4 tornillos ø12 acero inoxidable A2



Tube ø60  
Tube 60DIA  
Tubo ø60

<small>THIS DRAWING IS A CONTROLLED DOCUMENT FOR AMP INCORPORATED. IT IS SUBJECT TO CHANGE AND THE CONTROLLING ENGINEERING ORGANIZATION SHOULD BE CONTACTED FOR THE LATEST REVISION. CE PLAN EST UN DOCUMENT CONTROLÉ PAR AMP INCORPORATED. IL EST SUSCEPTIBLE D'ÊTRE REVISÉ, CONTACTER LE SERVICE TECHNIQUE D'AMP SIMEL POUR OBTENIR LA DERNIÈRE REVISION.</small>		DWN /DESSINE NIVOLS 30-Sep-99	<b>AMP</b>		<b>AMP-SIMEL</b> 21220 Gevrey Chambertin FRANCE	
DIMENSIONS: mm		CHK /VERIFIE ROYER 30-Sep-99	APVD /APPROUVE VIAL - PRODUCT SPEC SPEC. PRODUIT - 02BFH0062 APPLICATION SPEC SPEC. APPLICATION -		NAME TITRE S 971 60A M16	
		TOLERANCES UNLESS OTHERWISE SPECIFIED PER TOLERANCES NON SPECIFIEES SELON : -		SIZE FORMAT A3	CAGE CODE 00779	DRAWING NO NO PLAN C=713148
MATERIAL MATIERE -		FINISH FINITION -		WEIGHT MASSE APPROX. 0.6 KG	UNIQUEMENT POUR REFERENCE	RESTRICTED TO RESERVE A -
CUSTOMER DWG / PLAN CLIENT				SCALE ECHELLE 1/2	SHEET FEUILLE 1 OF 1 DE	REV B

ITEM: .....

